




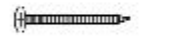
ASSEMBLY INSTRUCTION


SCREWS


A  3.5x60 (31pcs)

B  3.5x50 (22pcs)

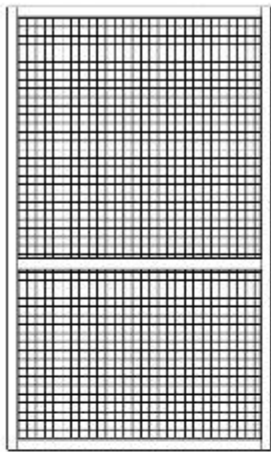
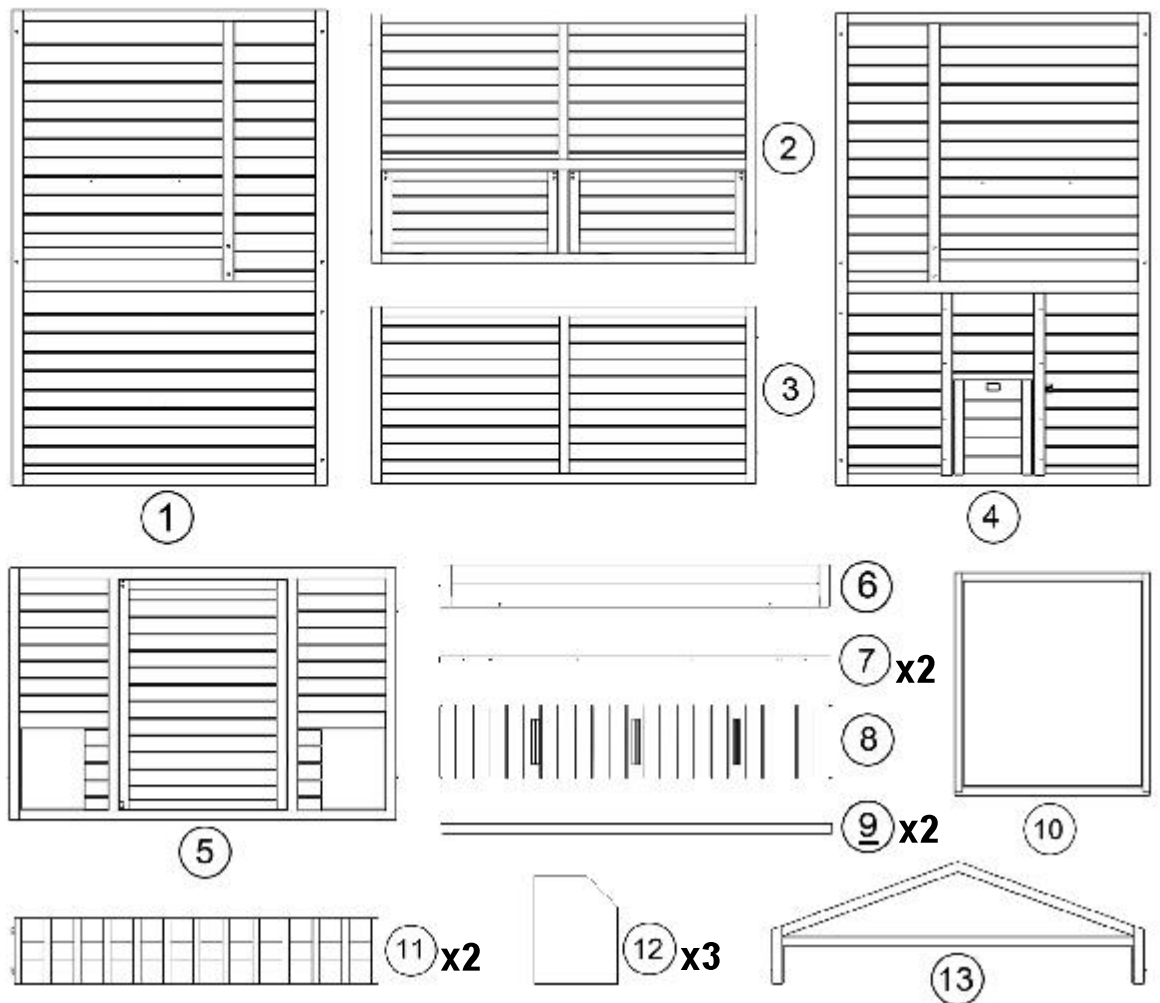
C  3.5x35 (26pcs)

D  3.0x30 (22pcs)

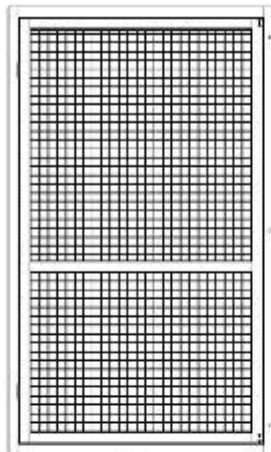
E  3.0x25 (16pcs)

F  3.0x14 (52pcs)

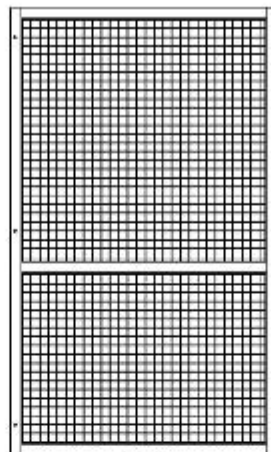
G  (8pcs)



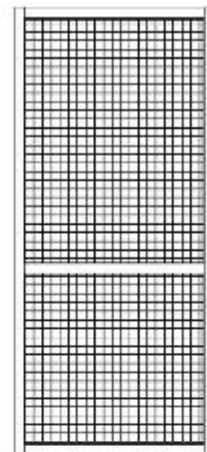
14 x2



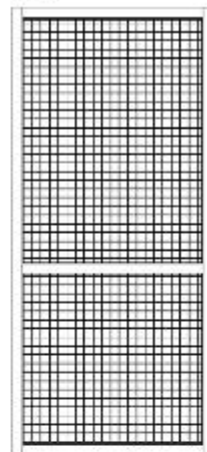
15



16



17



18



19



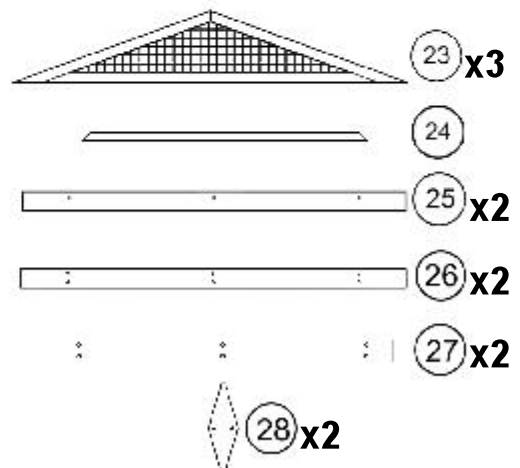
21

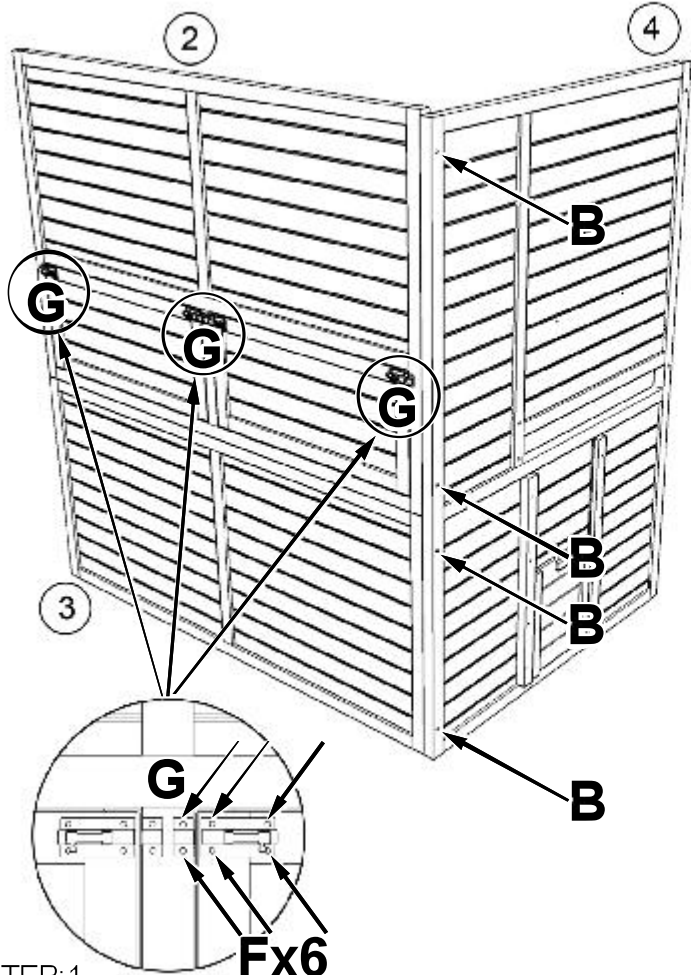


20

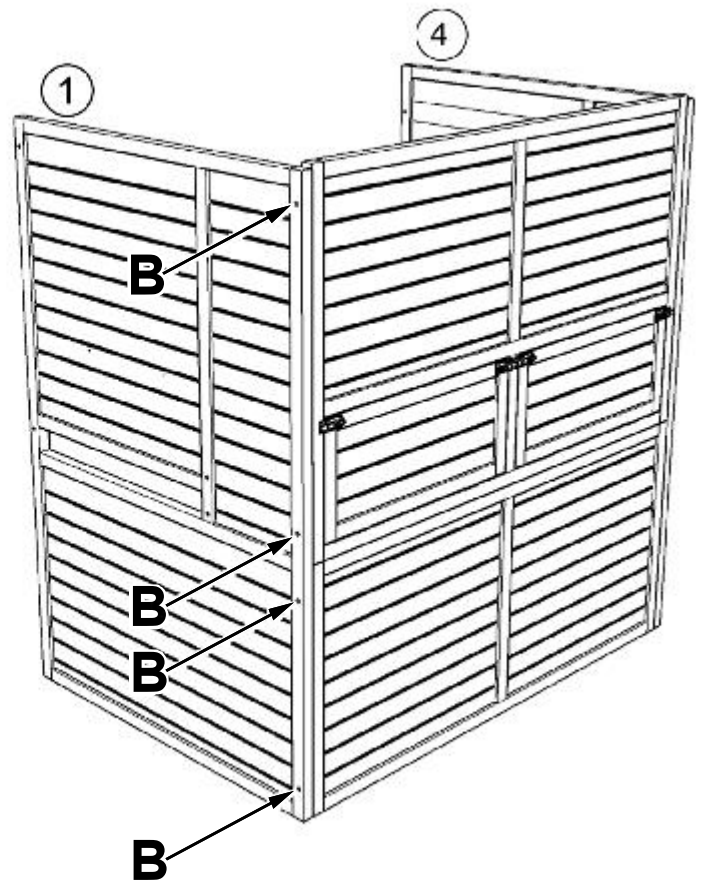


22

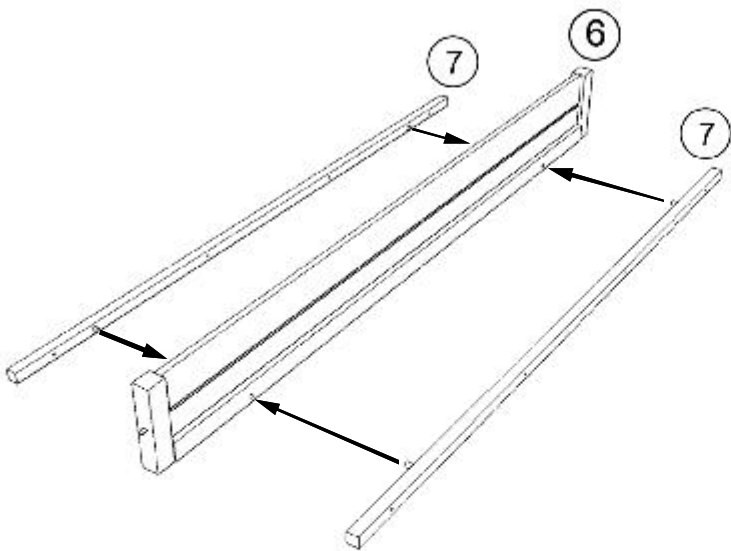




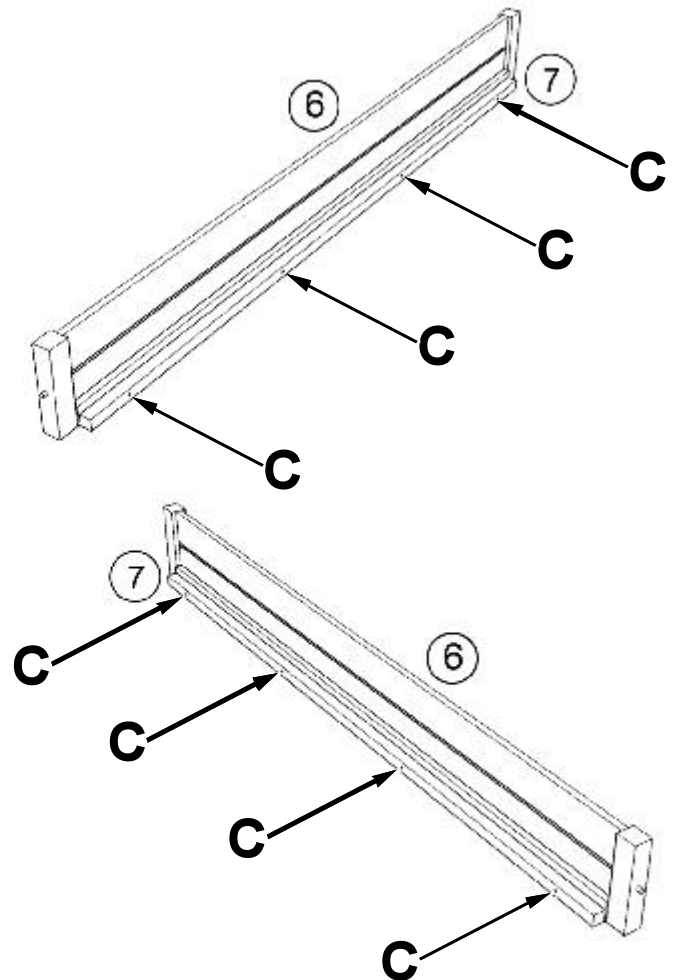
STEP:1



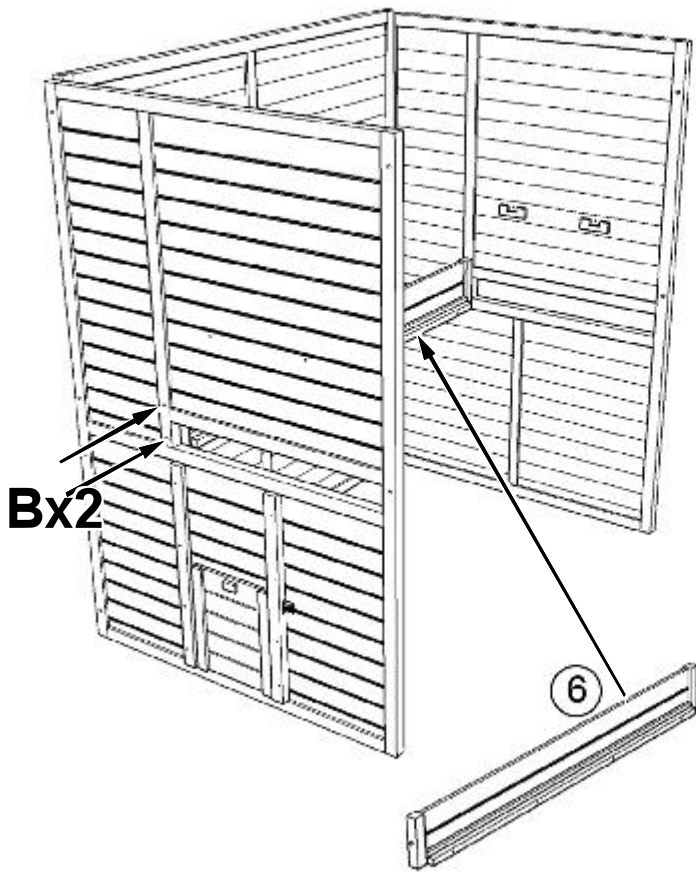
STEP:2



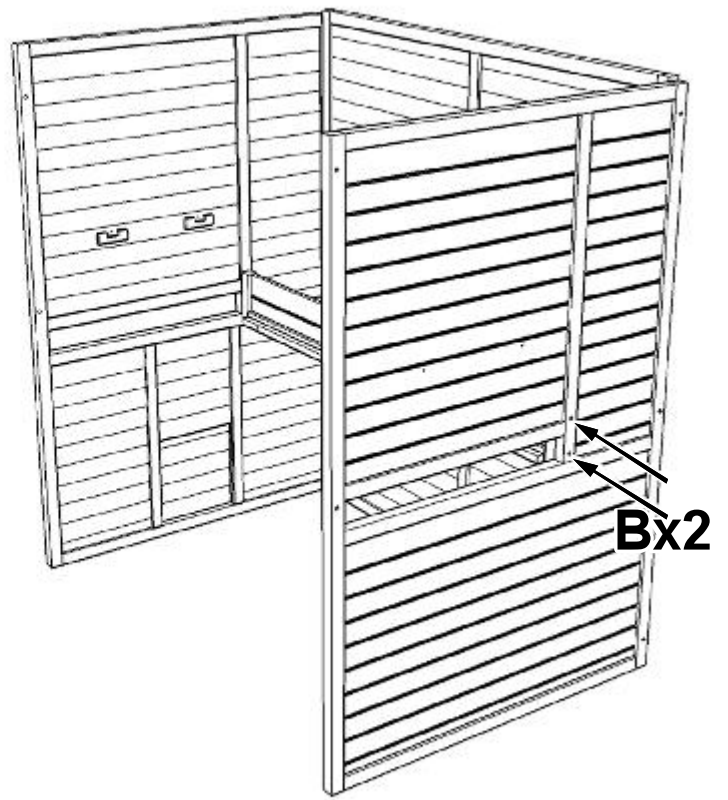
STEP:3



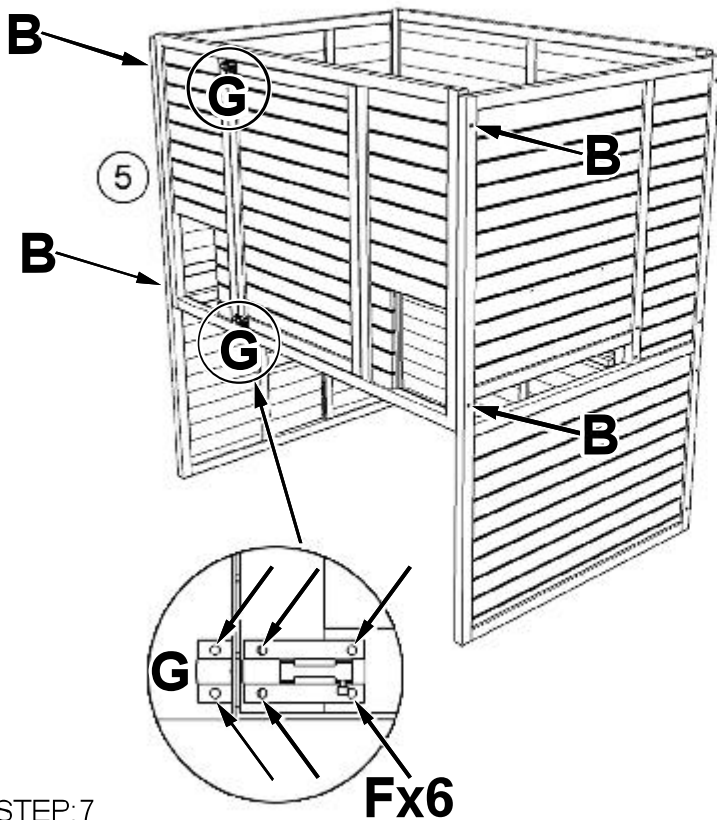
STEP:4



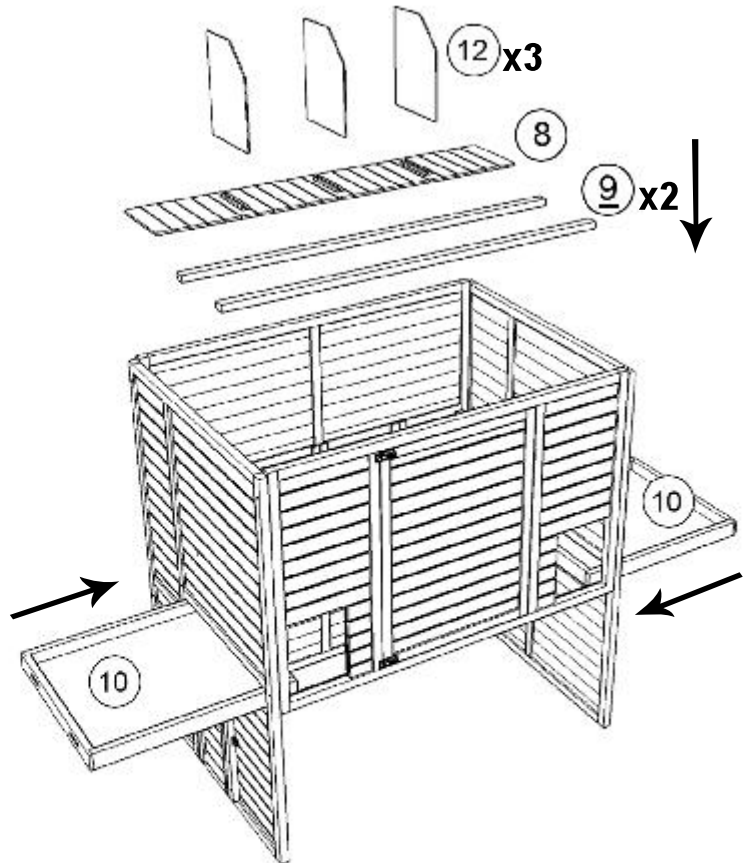
STEP:5



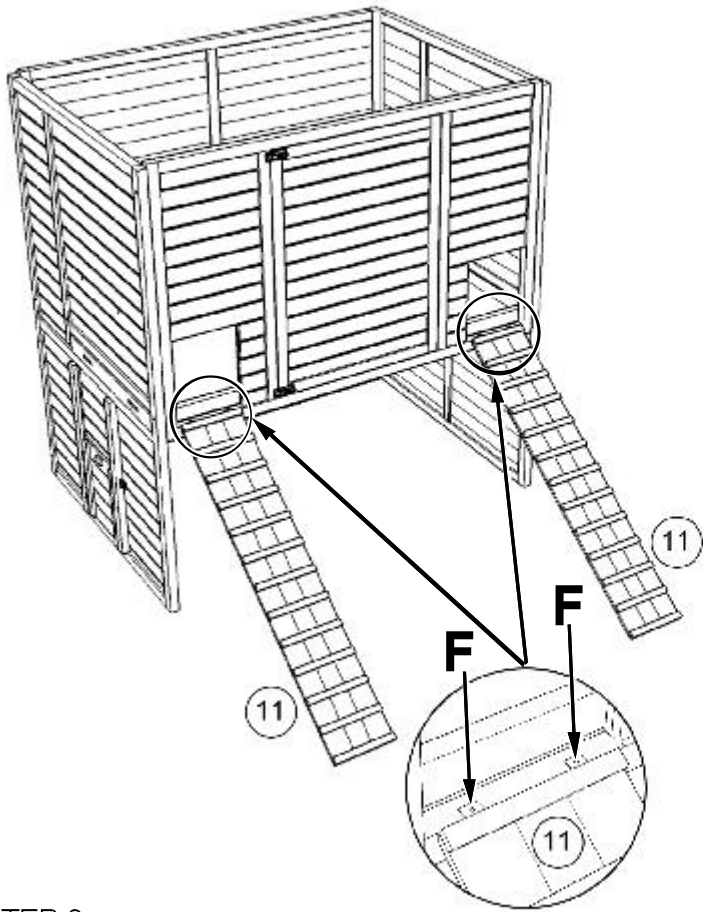
STEP:6



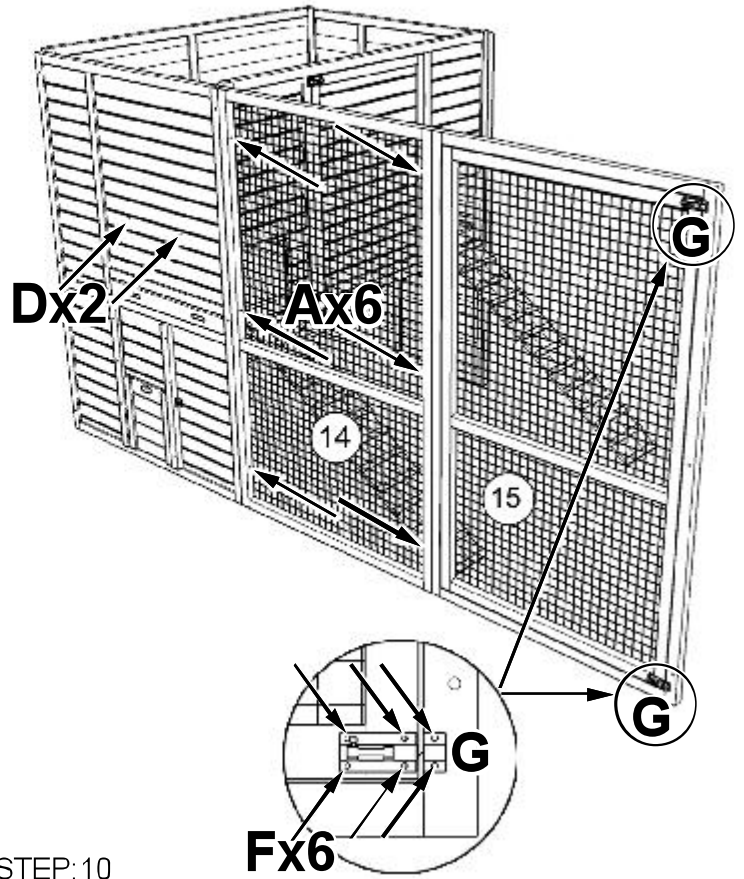
STEP:7



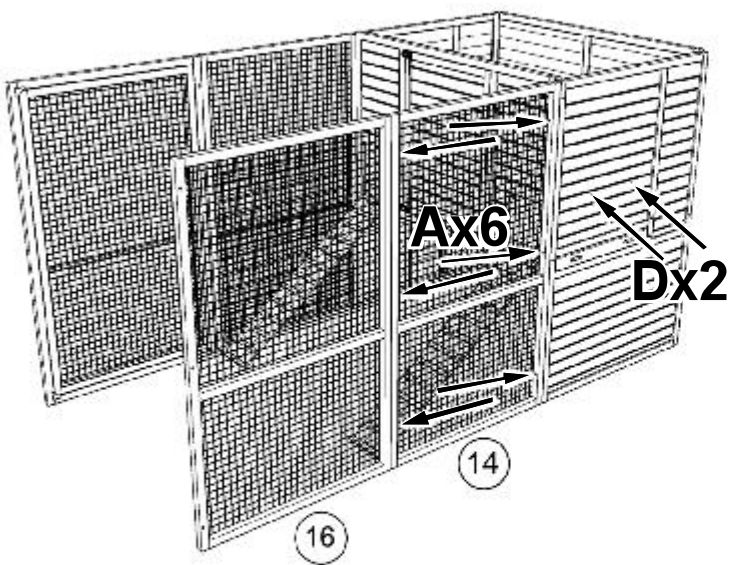
STEP:8



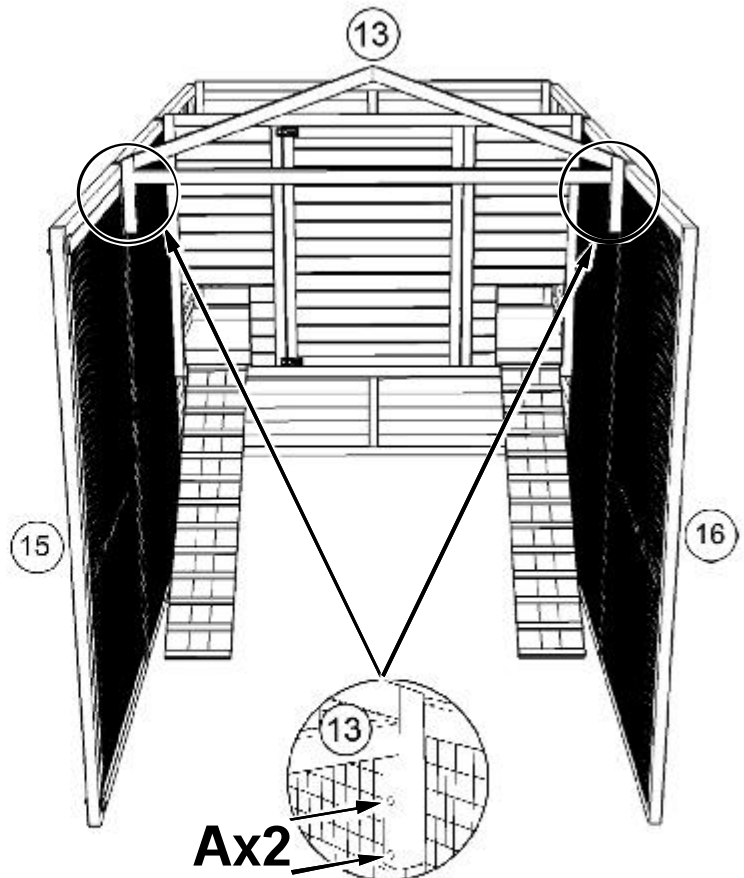
STEP:9



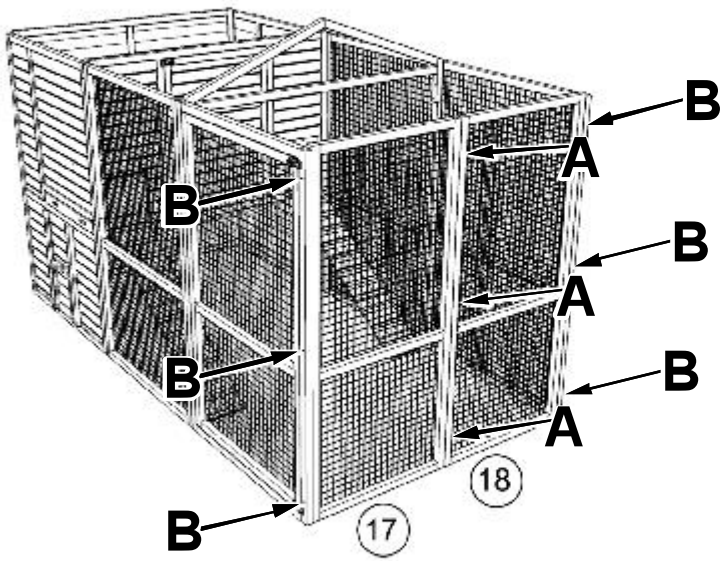
STEP:10



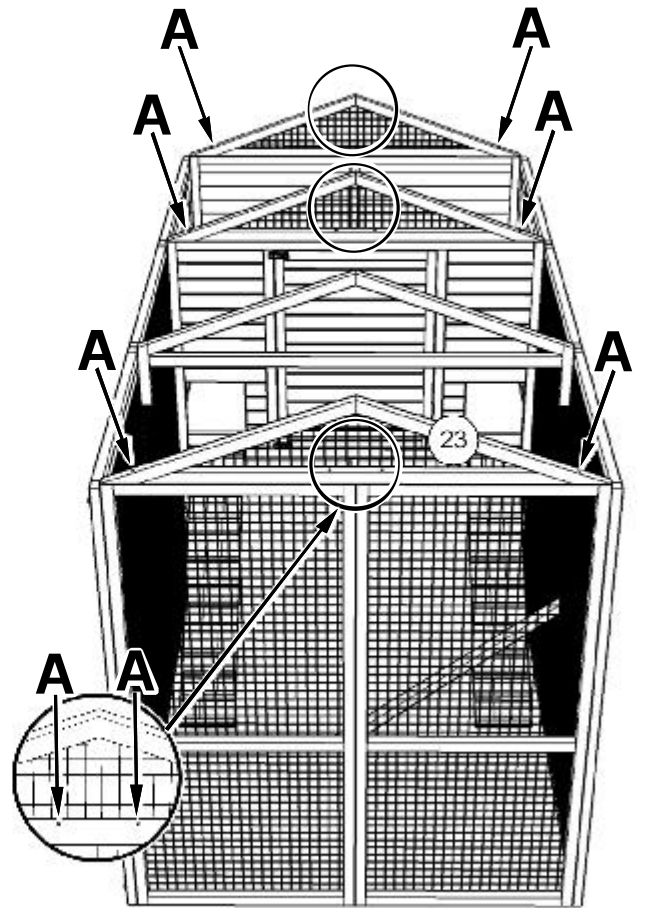
STEP:11



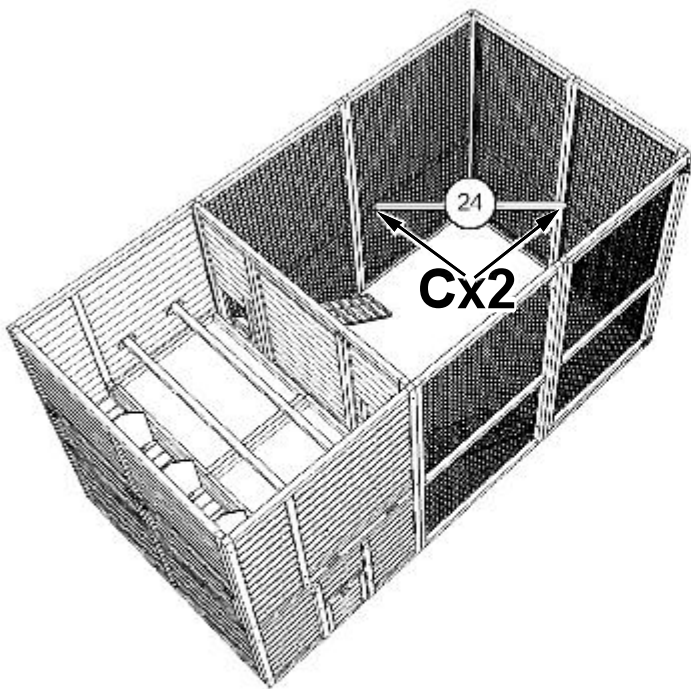
STEP:12



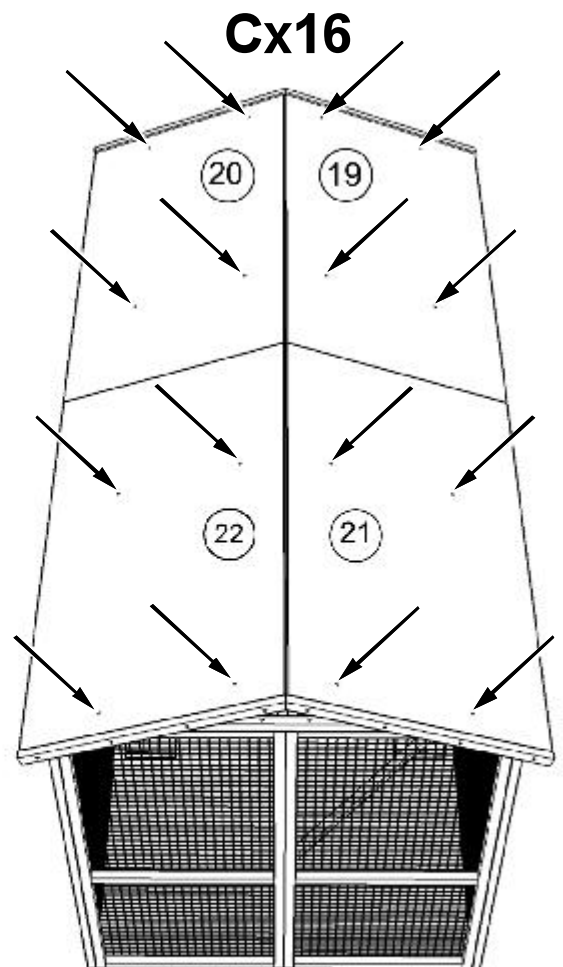
STEP:13



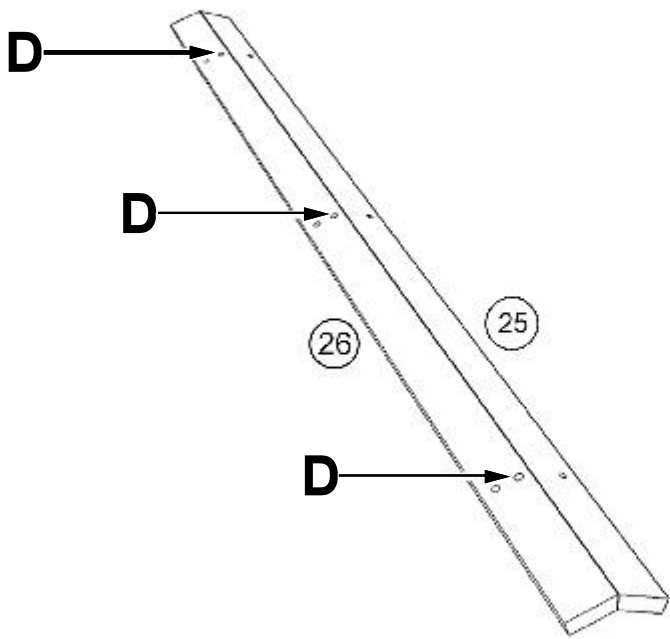
STEP:14



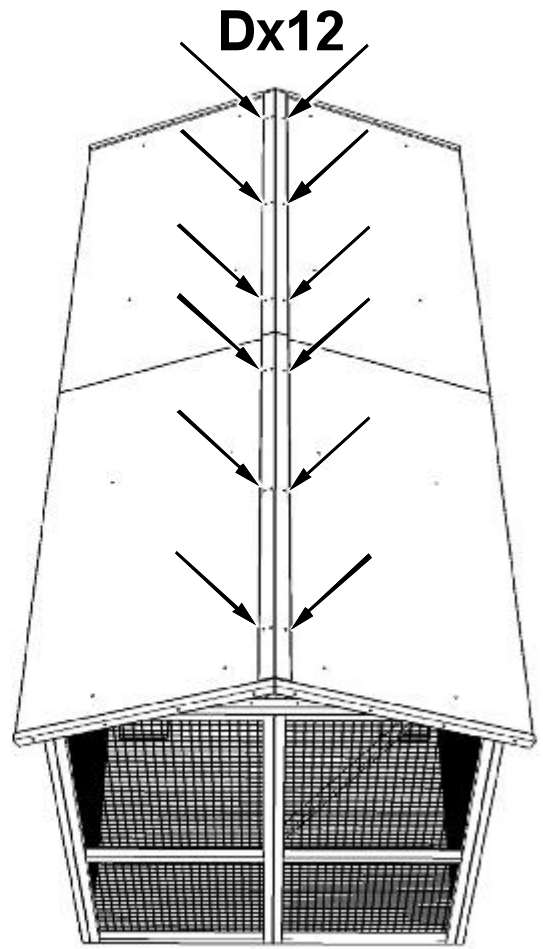
STEP:15



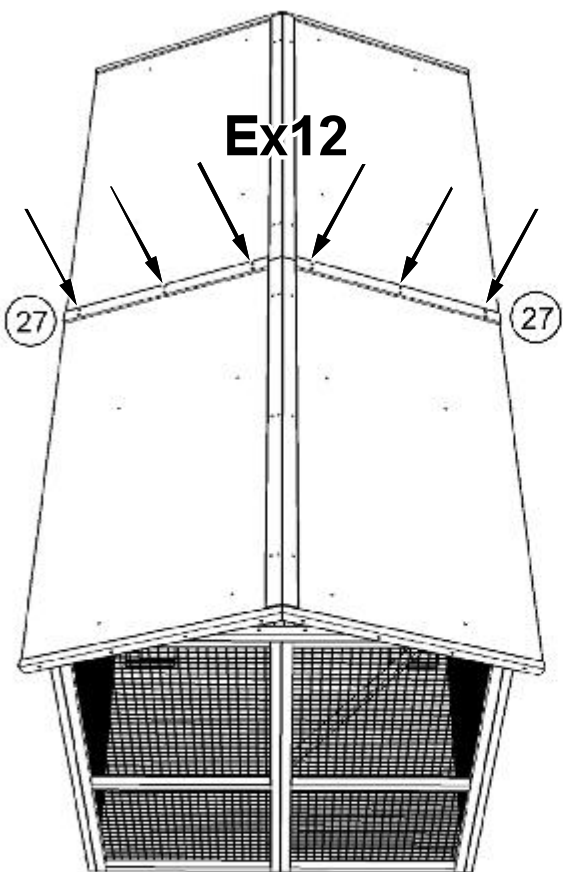
STEP:16



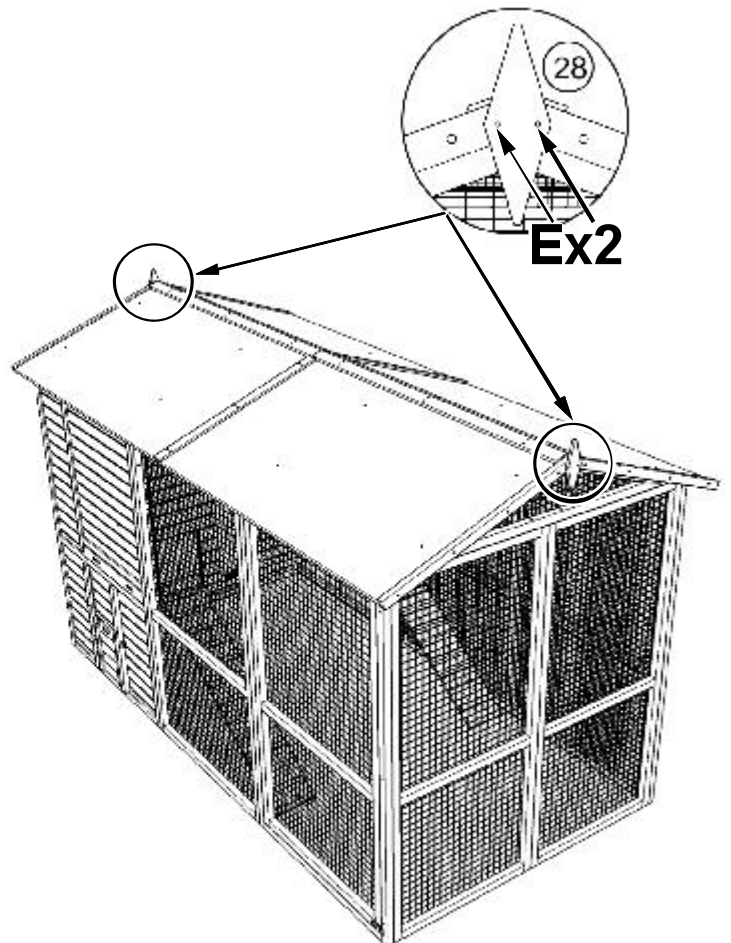
STEP:17



STEP:18



STEP:19



STEP:20